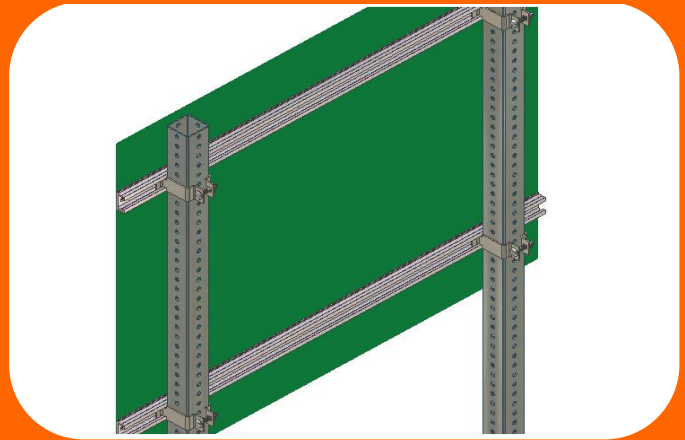


# Adjust-A-Sign

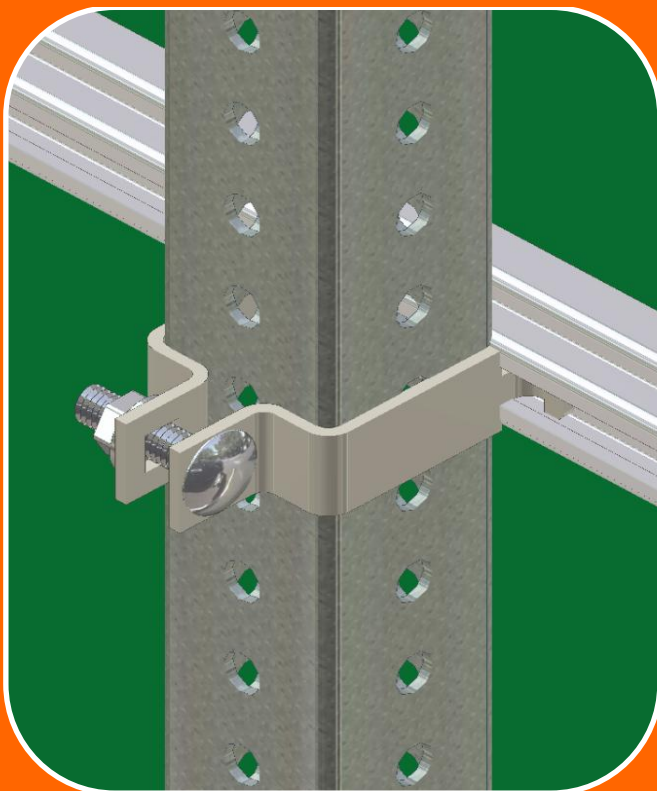
## Adjustable Sign Mounting Brace and Bracket System



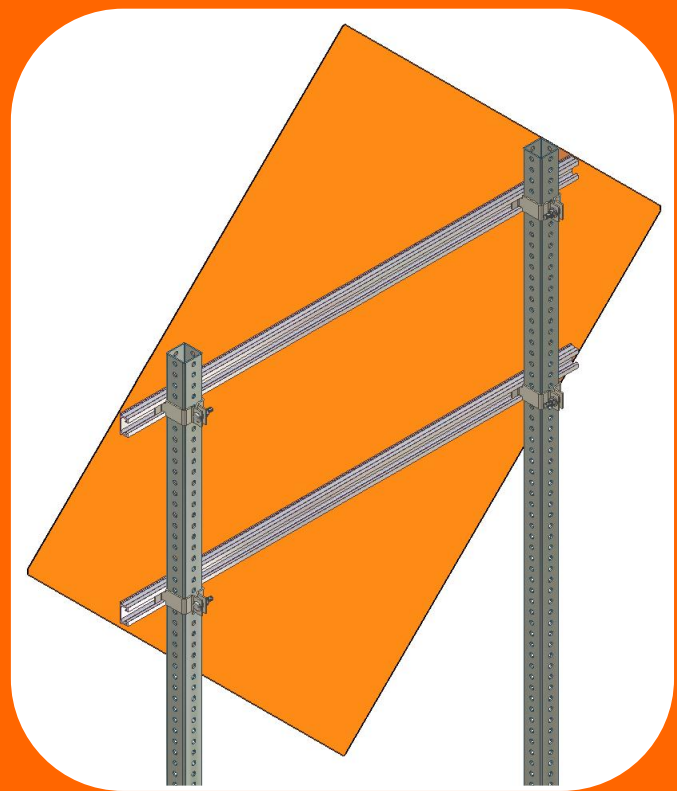
Bracing can be mounted to sign prior to erecting sign or on pre-installed posts



Sign & Bracing can be adjusted horizontally and vertically while mounted



Bracing holds sign panel closer to the post than Z-Bar

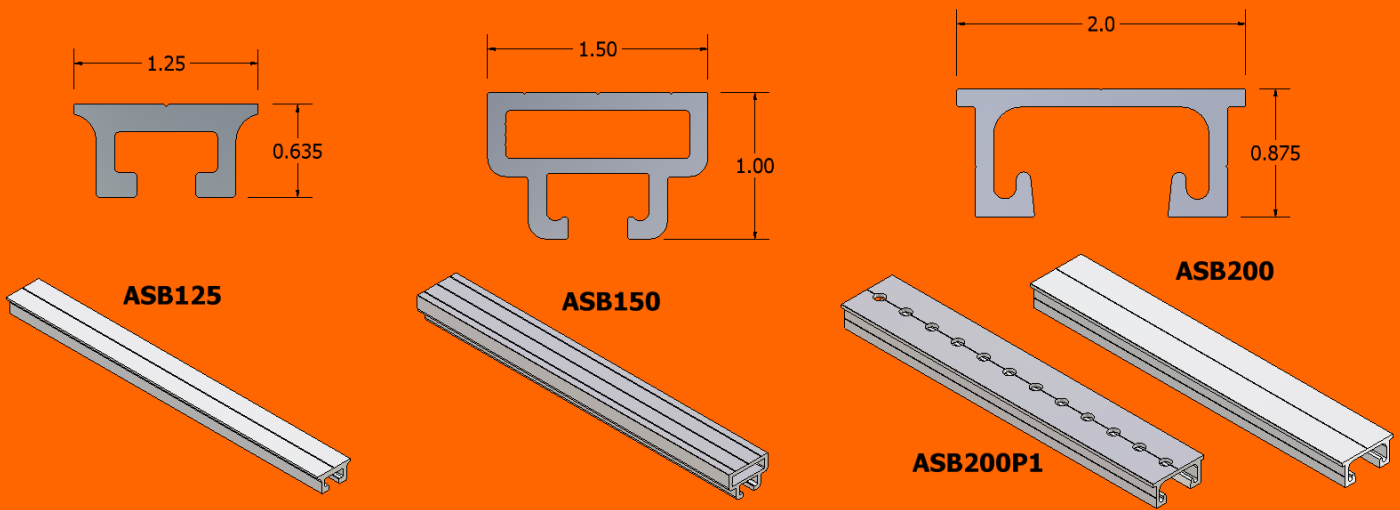


Bracing can be used for any shape of sign panel



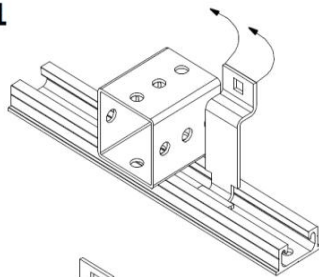
# Adjust-A-Sign

## Adjustable Sign Mounting Brace and Bracket System

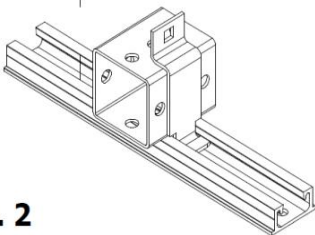


ASB125 & ASB150 Hardware also work with Extruded Sign Panels

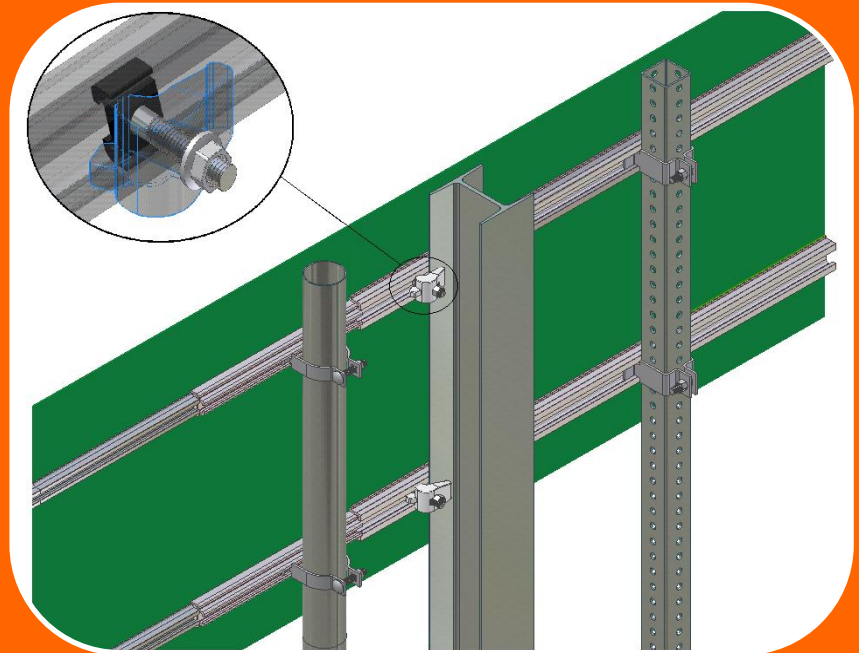
**FIG. 1**



**FIG. 2**



Installation is simple using Adjust-A-Sign 1/4 turn brackets



Product will mount on Square, Round, or Beam Posts. Brackets are available for Flat Panel or Extruded Panel Signs.

Adjust-A-Sign is designed to withstand wind loads per the AASHTO Standard Specifications for Highway Signs, Luminaires, and Traffic Signals.