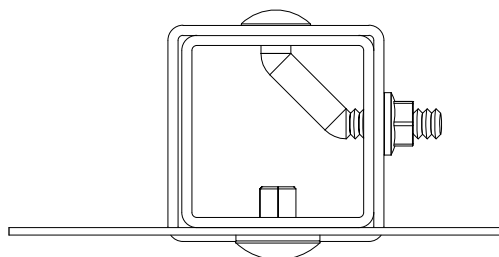
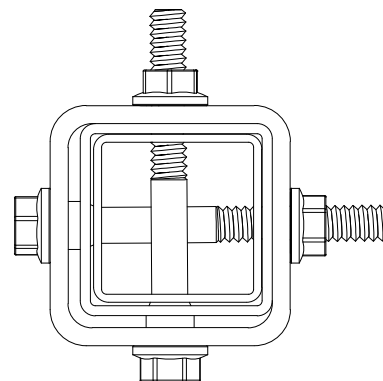


PSST SIGN POST ANCHOR HARDWARE

PSST	Anchor	Hardware
2"x14ga	2-1/4"x12ga	CB515-M-Z
2"x14ga	FCB175-250-G	CB515-L-Z
2"x14ga	HDA200-XX-G	G8FSB38-35-Z
2"x12ga	2-1/4"x12ga	CB515-M-Z
2"x12ga	FCB175-250-G	CB515-L-Z
2"x12ga	HDA200-XX-G	G8FSB38-35-Z
2"x12ga	ICBM4510-200-G	G8FSB38-35-Z
2-1/4"x14ga	2-1/2"x12ga	CB515-M-Z
2-1/4"x14ga	FCB175-250-G	CB515-L-Z
2-1/4"x12ga	2-1/2"x12ga	CB515-M-Z
2-1/4"x12ga	FCB175-250-G	CB515-L-Z
2-1/2"x12ga	FCB175-250-G	CB515-L-Z
2-1/2"x12ga	HDA250-XX-G	G8FSB38-35-Z
2-1/2"x12ga	ICBM4510-250-G	G8FSB38-35-Z
2-1/2"x10ga	FCB175-250-G	CB515-L-Z
2-1/2"x10ga	ICBM4510-250-G	G8FSB38-35-Z
2-1/2"x12ga with 2-1/4"x12ga	ICBM4510-250-G	G8FSB38-35-Z
2-1/2"x10ga with 2-3/16"x10ga	ICBM4510-250-G	G8FSB38-35-Z



using a Corner Bolt
(CB516-_-Z)



using Flange Shoulder Bolts
(G8FSB38-35-Z)