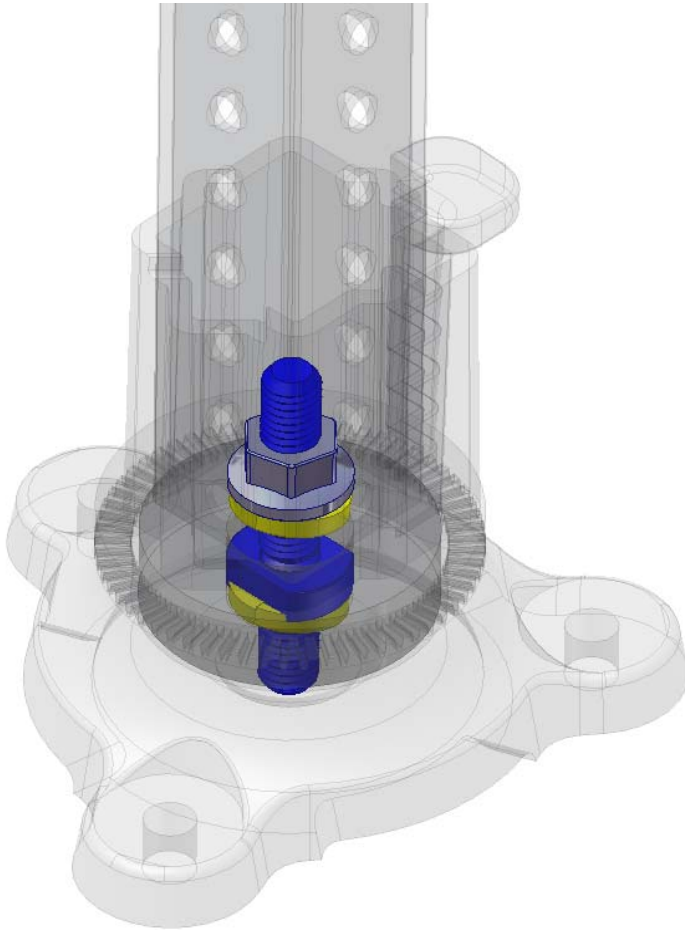


WHAT'S NEW:

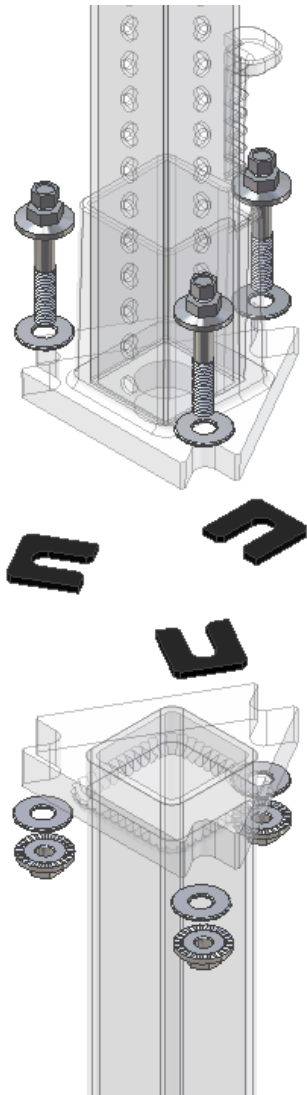
- **KLEEN BREAK Model 425**
– FHWA Accepted Shear Bolt Sign Post Coupler



- Product is a 360 degree indexable, surface mountable sign post coupler for Telespar sign posts.
 - Product allows for high impact sign support installations to break away upon impact, while providing quick inexpensive reinstallation without the need for a new anchor.
 - All parts of Kleen Break are reusable after impact except the Shear Bolt Set.
 - Unit can also be Flush Mount installed for Flush breakaway in pedestrian locations.
-
- For additional product information visit our **Kleen Break Sign Post Coupler** catalog page found under PRODUCTS

- **REDI-TORQUE Model 280**

- FHWA Accepted Torqueless Bolt for Slip Base Sign Supports

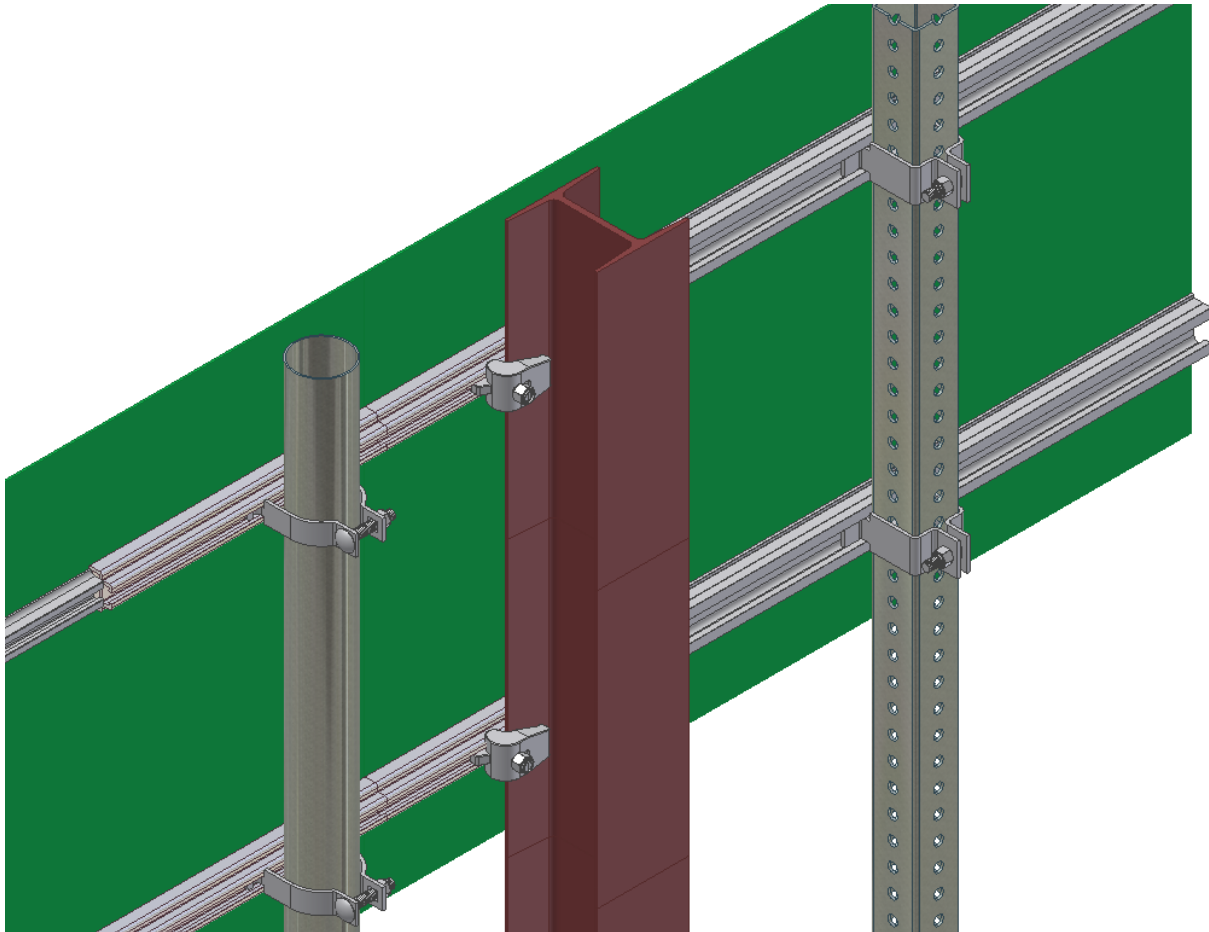


- Triangular, Multi-directional Slip Base System
- Product allows for Redi-Torque Bolts to be properly tightened without a torque wrench, while providing necessary holding strength for the post they are supporting.
- Ease of reinstallation in high impact areas, without the need for a torque wrench.
- Allows break-away performance in accordance with FHWA and NCHRP 350 requirements.
- Product works with omni-directional and bi-directional Slip Base Systems.

- For additional product information visit our **Slip Bases & Redi-Torque** catalog page found under **PRODUCTS**

- **ADJUST-A-SIGN**

- Adjustable Stiffening and Clamping System for Mounting Signs to Posts



- Sign Bracing extruded from 6061-T6 aluminum alloy
- Stainless Steel Sign Brace Post Clamps for Square, Round, Beam, Mast Arms and Wood Posts
- J-Type Beam Clamps for beam mounting
- Signs are adjustable both vertically and horizontally without removing the sign from the post, or mast arm
- Same Hardware fits Extruded Panels
- Signs can be mounted using Drive Rivets, or Tech Screws
- Used by numerous state DOT's
- Various bracing sizes and some of the numerous mounting options are shown in the picture above – call to discuss your requirements
- **For additional product information visit our [Sign Mounting Brackets, Bracing & Clamps](#) catalog page found on website under PRODUCTS**